



EX-AR30



Actual product appearance may vary.

Explosion-Proof Limit Switches Series
EX: Side Rotary; 1NC 1NO SPDT Snap
Action; 0.5 in - 14NPT conduit

Features

- NEMA 1, 7, and 9
- Compact, rugged housing
- Up to 20 amp capacity
- Ample wiring space
- Mounts from four sides
- Roller arms adjustable through 360 degrees
- Non-sparking actuators
- Captive cover screws
- UL listed, file #E14274
- CSA certified, file #LR57324
- ATEX approved, file #KEMA 04ATEX2312 X
- Grounding screw

Potential Applications

- Control valves and actuators
- Petro-chemical plants
- Conveyors
- Material handling

Description

MICRO SWITCH™ EX switches feature the smallest UL-listed housings available for use in hazardous locations. Flame paths within the housing cool exploding gases below the kindling temperature before they reach the explosive gases surrounding the housing.

Product Specifications	
Availability	Global
Operating Force (O.F.)	1,11 N [2.5 lb] max.
Pretravel (P.T.)	2,65 mm [0.065 in] max.
Overtravel (O.T.)	25° max.
Differential Travel (D.T.)	0,18 mm [0.007 in] (0.25°) max.
Product Type	MICRO SWITCH™ Explosion-Proof Limit Switches
Actuator	Side Rotary

Lever Style	1.5 in Fixed Length Lever with Bronze Roller (.75 in dia. x .25 in wide)
Circuitry	1NC 1NO SPDT Snap Action
Ampere Rating	15 A Ind./ 0.5 A Res./0.25 A Res.
Supply Voltage	125 Vac, 250 Vac, 480 Vac/125 Vdc/250 Vdc
Housing Material	Aluminum
Termination Type	0.5 in - 14NPT conduit
Housing Type	EX
Series Name	EX
Sealing	NEMA 1, 7 (Class I, Division 1, Groups C, D), 9 (Class II, Division 1, Groups E, F, G)
Approvals	UL listed, CSA Certified, ATEX approved
CSA File #	LR57324
UL File #	E14274
ATEX File #	KEMA 04ATEX2312 X
Operating Temperature Range	-40 °C to 71 °C [-40 °F to 160 °F]
Comment	CCW Actuation
UNSPSC Code	302119
UNSPSC Commodity	302119 Switches and controls and relays
Sealed	Explosion-proof

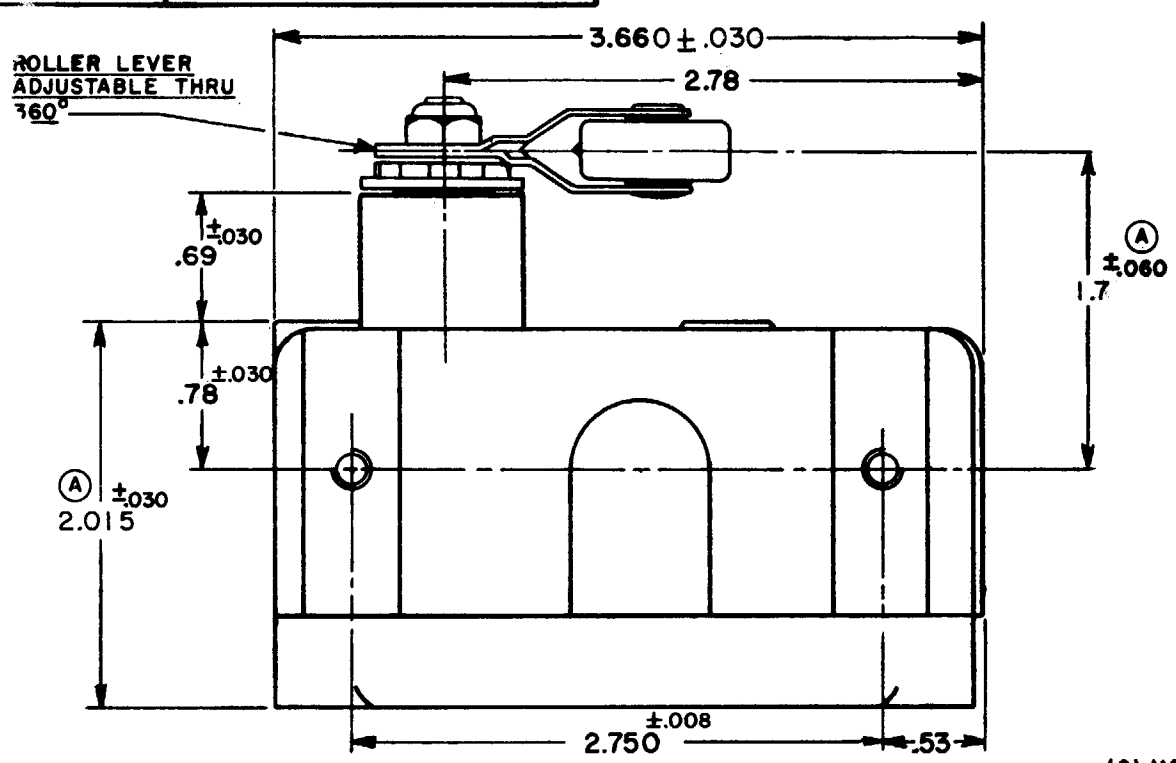
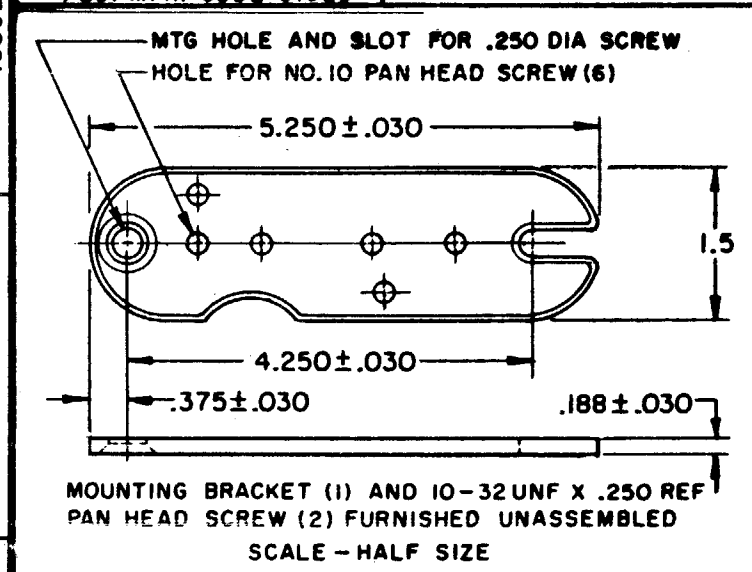
EX-AR30
 M
 DRAWING NUMBER
 22
 ISSUE
 22
 REVISIONS
 A C.O.11034
 K. A. F. 14 DEC 58
 B CO15608
 M B F 9 DEC 61
 C CO16851
 M B F 10 DEC 62
 D CO17653
 H B W 24 FEB 64
 E CO18276
 M B F 15 JUNE 64
 F CO19878
 M B F 4 NOV 66
 G CO26103
 D L F 18 JUL 69
 H CO-31559
 BEN 10 JUL 73
 J CO 58360
 CSH 9 NOV 85
 K CO61381
 DAW 22 APR 87
 74-983
 DRAWN
 K. A. F. 14 DEC 56
 CHECK
 56
 22 APR 87

MICRO SWITCH
 A DIVISION OF MINNEAPOLIS HONEYWELL REGULATOR COMPANY
 ST. LOUIS, MISSOURI

SWITCH-ENCLOSED

CATALOG LISTING
EX-AR30

THIS DRAWING COVERS A PROPRIETARY ITEM AND IS THE PROPERTY OF MICRO SWITCH, A DIVISION OF HONEYWELL. THIS DRAWING IS NOT TO BE COPIED OR USED WITHOUT THE APPROVAL OF MICRO SWITCH.

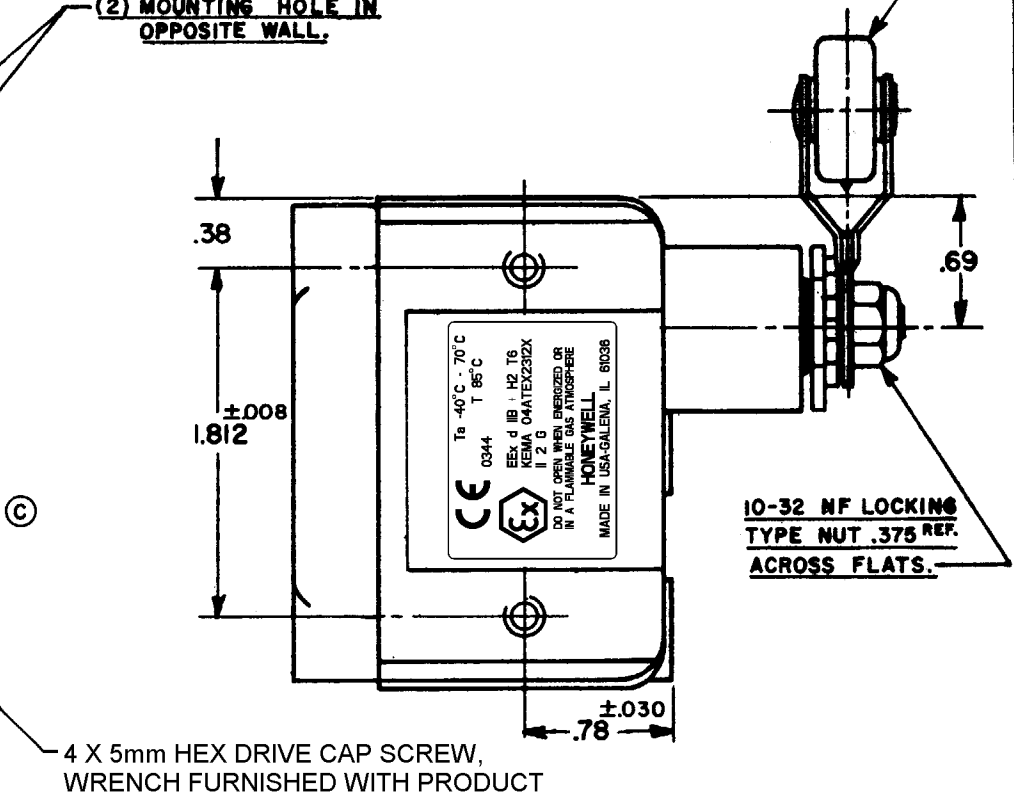
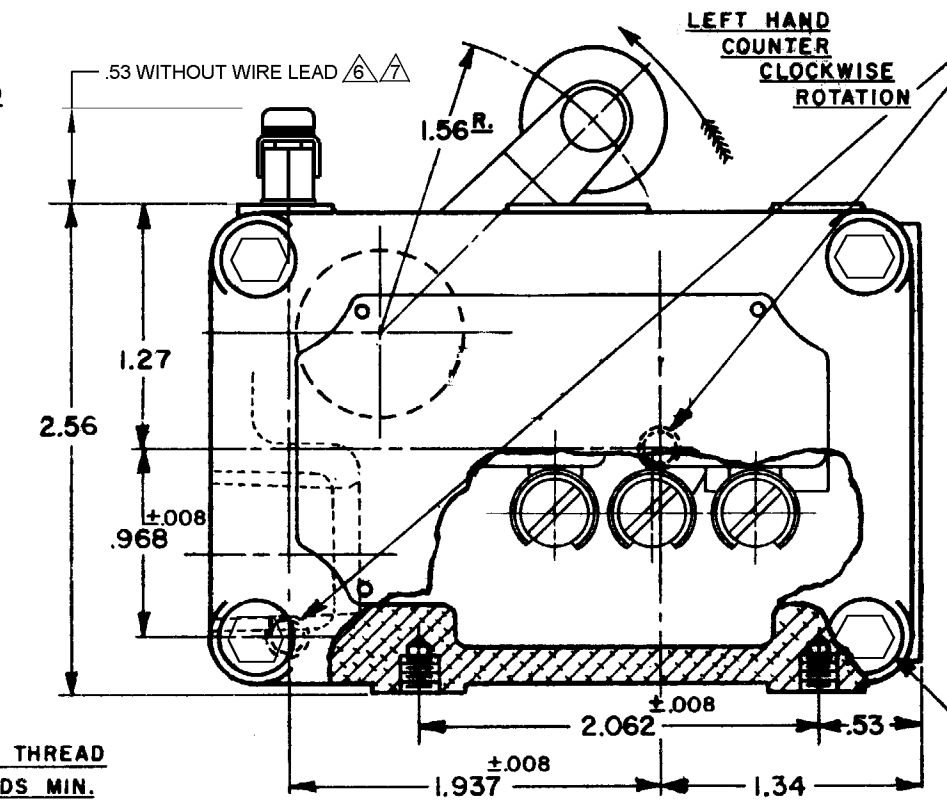
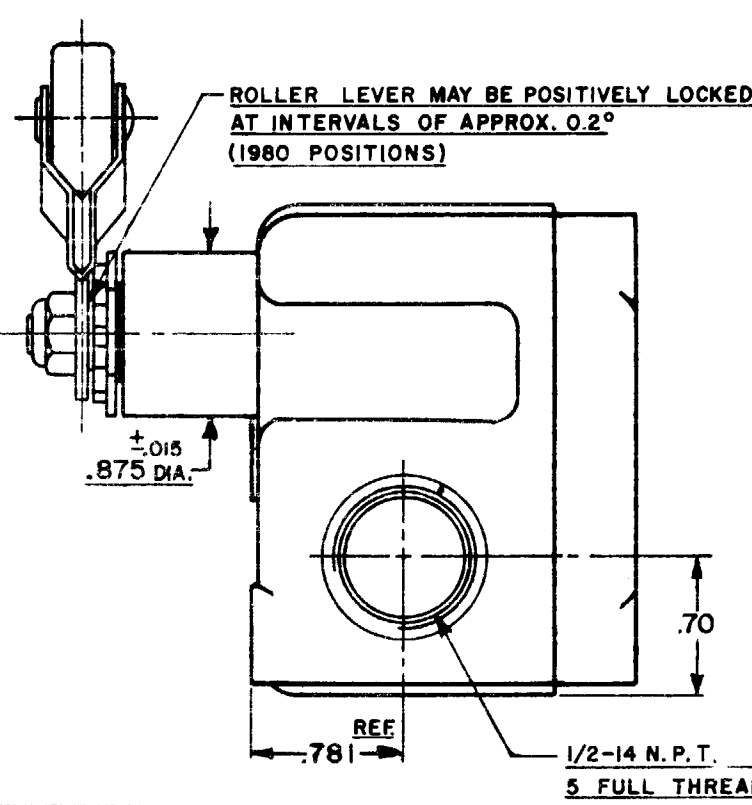


REF. 750 DIA. X .312 WIDE ROLLER MADE OF NON-SPARKING WEAR RESISTANT MATERIAL.

RELEASE NO. 27APR05

L	CO70715B	TSM	10 OCT 91
M	CO73019	MAM	19 SEP 92
N	CO74362	TSM	10 FEB 93
M	CO77285	KEU	19 APR 94
N	0012750	KR	27APR05

A	CO11034	K. A. F.	14 DEC 58
B	CO15608	M B F	9 DEC 61
C	CO16851	M B F	10 DEC 62
D	CO17653	H B W	24 FEB 64
E	CO18276	M B F	15 JUNE 64
F	CO19878	M B F	4 NOV 66
G	CO26103	D L F	18 JUL 69
H	CO-31559	BEN	10 JUL 73
J	CO 58360	CSH	9 NOV 85
K	CO61381	DAW	22 APR 87



CHARACTERISTICS	
OPERATING FORCE	2 1/2 LBS. MAX.
PRETRAVEL	3 1/2° (.065 MAX.)
DIFFERENTIAL TRAVEL	1/4° (.007 MAX.)
OVERTRAVEL	DO NOT OVERTRAVEL MORE THAN 25°
SWITCH-BASIC REPLACEMENT	BZ-2R-P4

ELECTRICAL DATA	
CONTACT ARRANGEMENT S. P. D. T.	
(A) -L96-	15 A-125, 250, OR 480 VAC 1/2 A-125 VDC; 1/4 A-250 VDC 1/8 HP-125 VAC; 1/4 HP-250 VAC

SCALE-FULL	
DO NOT SCALE PRINT	
UNLESS OTHERWISE SPECIFIED	
DIMENSIONS ARE IN INCHES	
TOLERANCES ARE:	
ONE PLACE (.0)	±.030
TWO PLACE (.00)	±.018
THREE PLACE (.000)	±.008
ANGLES	
WEIGHT	

NOTES

- (8) MOUNTING SCREW HOLES, 10-32 NF-2B THREADS X .219 REF DEEP
- 8-32 NC X .219 REF TERMINAL SCREWS AND CUPWASHERS
- EXPLOSION PROOF - UNDERWRITERS LAB. INC. LISTING FOR HAZARDOUS LOCATIONS NEMA 7, CLASS I, GROUPS C AND D, NEMA 9, CLASS II GROUPS E, F AND G
- EUROPEAN HAZARDOUS LOCATIONS DESIGNATION: EEx d IIB + H2 T6 CATEGORY II 2 G
- SEAL RATING: NEMA 1

EXTERNAL GROUND SCREW MAY BE ASSEMBLED TO ANY UNUSED MOUNTING SCREW HOLE

ASSEMBLE PROVIDED SPLIT LOCKWASHER BETWEEN GROUND LUG AND HOUSING